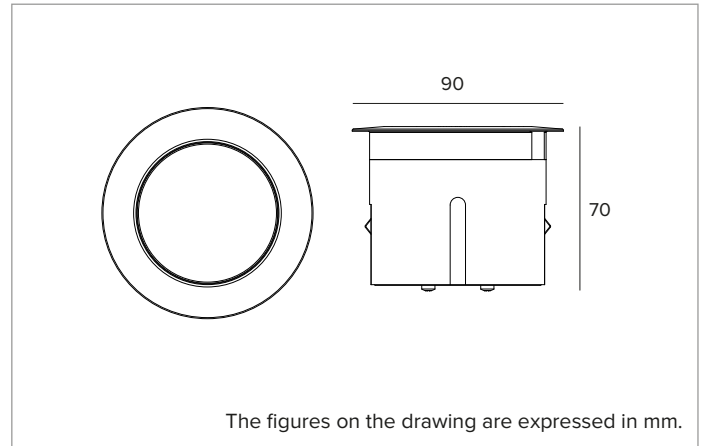


E040FLL830AEB | Keplero Quantum 90

Recessed professional projector with an adjustable optical unit



| | | | | | | |
|--------|------------------------------|------------------|---------|------|-----------------------|------|
| | | 3000K | H(m) | D(m) | E _{max} (lx) | |
| | | Ra80 | | 34° | | |
| | | Fixture Power | 10W | 1 | 0.60 | 2865 |
| | | Source Flux | 1359lm | 2 | 1.21 | 716 |
| | | Fixture Flux | 1054lm | 3 | 1.81 | 318 |
| | | Efficacy | 102lm/W | 4 | 2.42 | 179 |
| TS2225 | I _{max} =2108cd/klm | I _{max} | 2865cd | 5 | 3.02 | 115 |



SOURCE

High efficiency Chip on Board LED. 3000K (Ra80) colour temperature.

Energy efficiency class: C

Nominal power: 9,3W

Nominal flux: 1359lm

Colour rendering index: 80

Rf: 84

Rg: 97

CCT nominal: 3000K

ILLUMINOTECHNICAL CHARACTERISTICS

Optical grade PMMA lens and holographic diffusing filter. Adjustability of the optical unit up to 15° on the vertical plane. Tilting of the optical unit made through external regulation without opening the product.

Optic: LENS

Beam angles: FL

Optical efficiency: 78%

Fixture flux: 1054lm

Luminous efficacy: 102lm/W

Photobiological safety: Compliant with RG1 low risk group

MECHANICAL CHARACTERISTICS

Aluminium body made by CNC machining process and treated with black anodizing. Ultra flat decorative ring with a flared edge, made of brushed stainless steel (AISI 316) in a eclipse black finish. Anti-slip glass for public pedestrian areas.

Colour and finish: Eclipse black

Version: ANTI-SLIP GLASS

Degree of protection: IP66,IP67,IP68

Mechanical Resistance: IK10

ELECTRICAL CHARACTERISTICS

24Vdc power supply. ON-OFF or DALI2 remote driver to be ordered separately. Precabled with 1,5m 2x0,5mm² cable. Casambi control system available via accessory (for products with DALI2 driver only).

Fixture Power: 10W

Power supply: 24Vdc

Insulation Class: CLASS 3

Driver included: NO

Class F: YES

Ambient temperature: -25°C / +35°C

INSTALLATION

In-ground installation by a reinforced nylon sleeve, to be ordered separately. Sleeves are available for flush or trim installation. 20kN resistance to static load. Wall/ceiling installation by the accessory mounting systems.

NOTES

IP68: the fixture is not suitable for permanent underwater installation but can withstand temporary accidental immersion to a depth of 1.5 metres (max.1h). All the Keplero Quantum 90 versions (except all-glass versions) meet the drive-over and walk-over requirements set out in the EN 60598-2-13 standard. Low temperatures on the glass make them suitable even for installation in "special areas", such as spaces for children. It features the "Waterblock Smart" technical solution which involves resin-sealing the connection cables to minimize the risk of moisture rising into the fixture. Commissioning of the control system via free APP; the intervention of a specialist technician can be quoted on request.

WARRANTY

5 years.

WARNING

Luminaire designed for disposal/recycling at end-of-life. Replaceable (LED only) light source by a professional. Non-replaceable control gear.

Due to the technological evolution of the electronic components, the data provided may be updated, and as such, confirmation must be requested during the order process.

Luminous flux and power supply have +/-10% tolerances with respect to the indicated value. tq +25°C (CIE 121).

We reserve the right to make technical changes.

Targetti Sankey S.r.l.
Via Pratese, 164
50145 Firenze - Italy
Tel: +39 055 37911
targetti.com
targetti@targetti.com

CCIAA Firenze
Share Capital:
€ 500.000,00
VAT N. (IT):
01537660480
R.E.A: FI-275656

TARGETTI

E040FLL830AEB | Keplero Quantum 90

Recessed professional projector with an adjustable optical unit

Related codes

Sleeve



| L mm | H mm | P mm | Code |
|------|------|------|-------------|
| 219 | 126 | 219 | A124 |

Reinforced nylon installation sleeve.
The sleeve is designed for the trim installation of the fixture.
Complete with a cover element to protect the recessed housing during concrete pouring.
Ax/B 219x219 H. 126



| L mm | H mm | P mm | Colour | Code |
|------|------|------|--------|---------------|
| 219 | 127 | 219 | ● | A125EB |

Reinforced nylon installation sleeve.
The sleeve is designed for the flush installation of the fixture.
Complete with a cover element to protect the recessed housing during concrete pouring.
Ax/B 219x219 H. 127

Mounting System



Code

A127

Steel spring kit for wall and ceiling installations.

Power Supply

| Dimensions LxHxP mm | Power | Power supply | Output voltage | IP | Code |
|---------------------|----------|--------------|----------------|------|---------------|
| 171x37x62 | 60W MAX | 220-240Vac | 24Vdc | IP67 | A134EL |
| 228x39x68 | 150W MAX | 220-240Vac | 24Vdc | IP67 | A137EL |

Electronic ON-OFF power supply.

| Dimensions LxHxP mm | Power | Power supply | Output voltage | IP | Code |
|---------------------|----------|--------------|----------------|------|---------------|
| 150x35x53 | 60W MAX | 220-240Vac | 24Vdc | IP67 | A134D2 |
| 191x38x63 | 120W MAX | 220-240Vac | 24Vdc | IP67 | A136D2 |

DALI2 power supply.

Accessories

Connector



Code

1E2493

Linear connection box IP68.
4 poles max. wire section 2.5mm².
Cable diameter range from 7 to 12mm.



Code

1E2494

Multiple connection box IP68.
1 IN - 3 OUT 4 poles max. wire section 2.5mm².
Cable diameter range from 6 to 12mm.

Due to the technological evolution of the electronic components, the data provided may be updated, and as such, confirmation must be requested during the order process.

Luminous flux and power supply have +/-10% tolerances with respect to the indicated value. tq +25°C (CIE 121).

We reserve the right to make technical changes.

Targetti Sankey S.r.l.
Via Pratese, 164
50145 Firenze - Italy
Tel: +39 055 37911
targetti.com
targetti@targetti.com

CCIAA Firenze
Share Capital:
€ 500.000,00
VAT N. (IT):
01537660480
R.E.A.: FI-275656

TARGETTI

E040FLL830AEB | Keplero Quantum 90
Recessed professional projector with an adjustable optical unit

Tool



Code

1E3305

Tightening wrench for the connector kit.

Due to the technological evolution of the electronic components, the data provided may be updated, and as such, confirmation must be requested during the order process.

Luminous flux and power supply have +/-10% tolerances with respect to the indicated value. tq +25°C (CIE 121).

We reserve the right to make technical changes.

Targetti Sankey S.r.l.
Via Pratese, 164
50145 Firenze - Italy
Tel: +39 055 37911
targetti.com
targetti@targetti.com

CCIAA Firenze
Share Capital:
€ 500.000,00
VAT N. (IT):
01537660480
R.E.A: FI-275656

TARGETTI